

Model No: BC25SC08-04  
 Product Line: Vifa

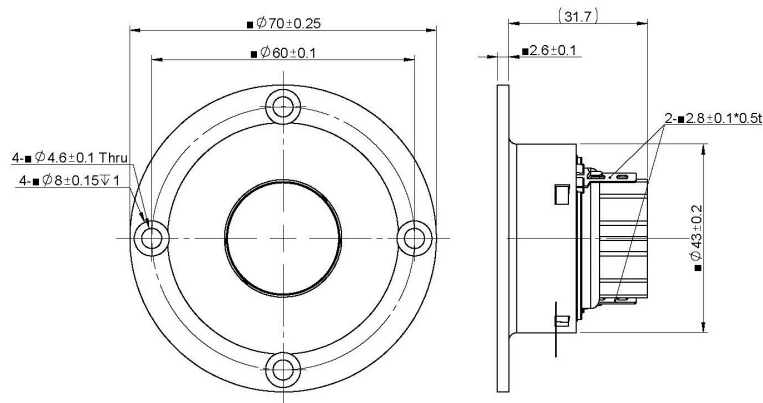
Rev: 1.0  
 Last Update: 2015-08-31 18:53:44

## Product Description

This BC family tweeter features a 4 ohm 25 mm voice coil, a damped fabric dome for smooth frequency response performance, and ferrofluid in the gap of the NdFeB motor, providing enhanced cooling of the voice coil. The tweeter comes with a compact faceplate with recessed mounting holes. A finned heat sink has been added for improved power handling.



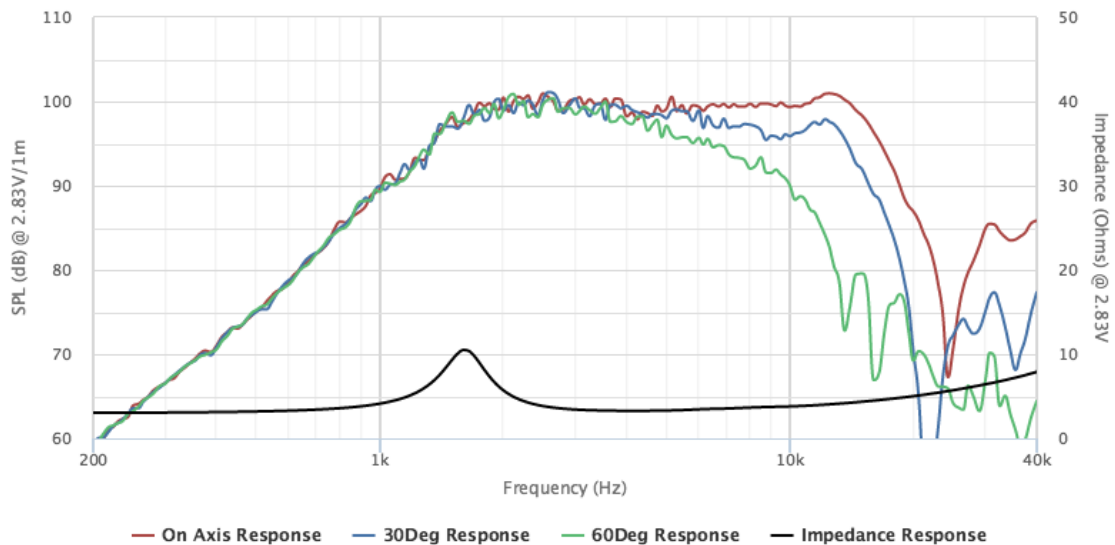
## Mechanical Drawing



## Specifications

DC Resistance	Revc	Ohms	2.79	5.0%	Energy Bandwidth Product	EBP	(1/Qes)*fs
Minimum Impedance	Zmin	Ohms	3.27	7.5%	Moving Mass	Mms	g
Voice Coil Inductance	Le	mH	0.02		Suspension Compliance	Cms	um/N
Resonant Frequency	Fs	Hz	1663.19	15%	Effective Cone diameter	D	cm
Mechanical Q Factor	Qms		4.93		Effective Piston Area	Sd	cm <sup>2</sup>
Electrical Q Factor	Qes		1.53		Effective Volume	Vas	L
Total Q Factor	Qts		1.17		Motor Force Factor	BL	Tm
Ratio Fs/Qts	F	Fs/Qts	1425.19		Motor Efficiency Factor	$\beta$	(T*M <sup>2</sup> )/Ohms
Half Space Sensitivity @2.83V	db@2.83V/1M	dB	98.77	+/- 1.0db	Voice coil former Material	VCfm	KSV
Half Space Sensitivity @1W/1M	db@1W/1M	dB	94.9	+/- 1.0db	Voice coil inner diameter	VCd	mm
Gap Height	Gh	mm	2		Rated Noise Power	P	W
Maximum Linear Excursion	Xmax	mm	0		Test Spectrum Bandwidth		2.5kHz-20kHz
Ferrofluid Type	FF		APG027N		Transducer Size	Inch	25 mm
Transducer Mass	Kg		0.08				

## Frequency and Impedance Response



Highcharts.com